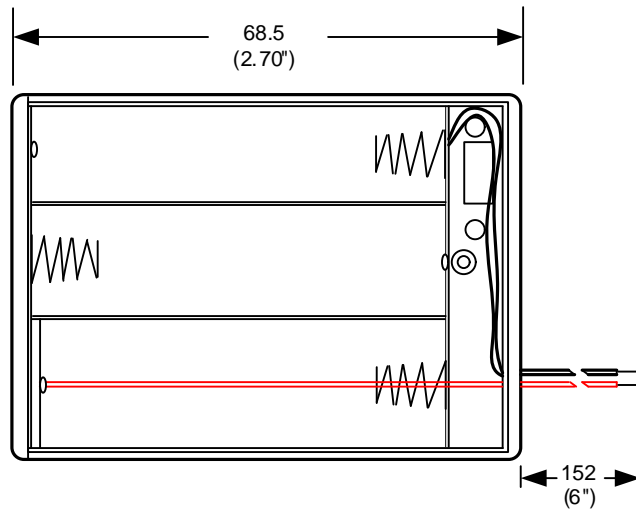
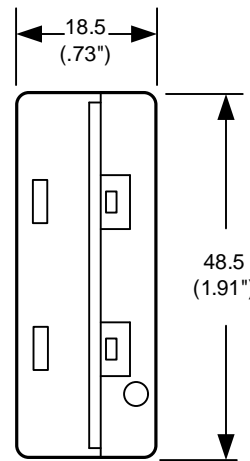


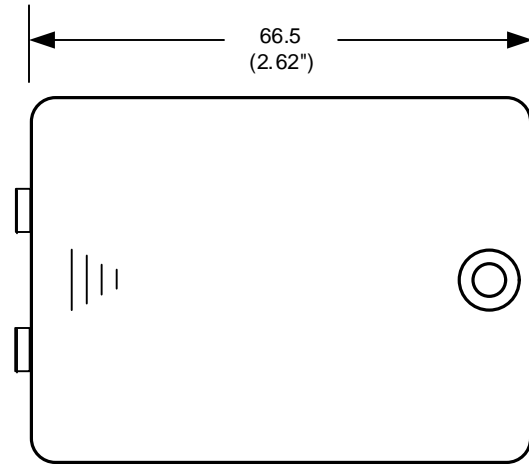
DATE	SYM	REVISION RECORD	AUTH	DR.	CK.
8/18/06	A	ADDED "ROHS COMPLIANT"	T.B.	B.S.	
8/11/07	B	UPDATED DESCR. IN SPECIFICATIONS	T.B.	B.S.	



HOLDER



END VIEW



COVER

SPECIFICATIONS:

ITEM NO. : SBH-331A

WIRE : UL 1007, #26 AWG
 BLACK & RED : 150 MM ± 5MM
 STRIP & TIN : 5 MM ± 1MM


MATERIAL: A.B.S. RESIN
 BLACK COLOR

SPRING : .6MM 65C SPRING WIRE

DESCR. : FOR THREE "AA" CELLS WITH COVER & SCREW
 SERIES CONNECTION, 4.5 VOLTS

ROHS COMPLIANT

Note: Dimensions in mm. (inches)

TOLERANCES (EXCEPT AS NOTED)	 Memory Protection Devices, Inc. 200 Broad Hollow Road, Farmingdale, New York 11735		
DECIMAL + .5 (.020) - .5 (.020)	SCALE	DRAWN BY S.C.	
FRACTIONAL + .8 (.030) - .8 (.030)	APPROVED BY		
ANGULAR + 3° - 3°	DATE 8/11/2007	DRAWING NUMBER SBH-331A	
TITLE 3 CELL AA HOLDER WITH COVER			